

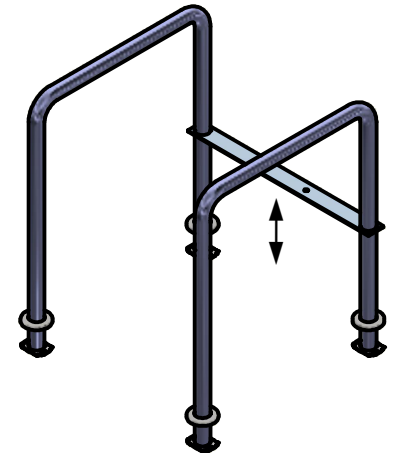
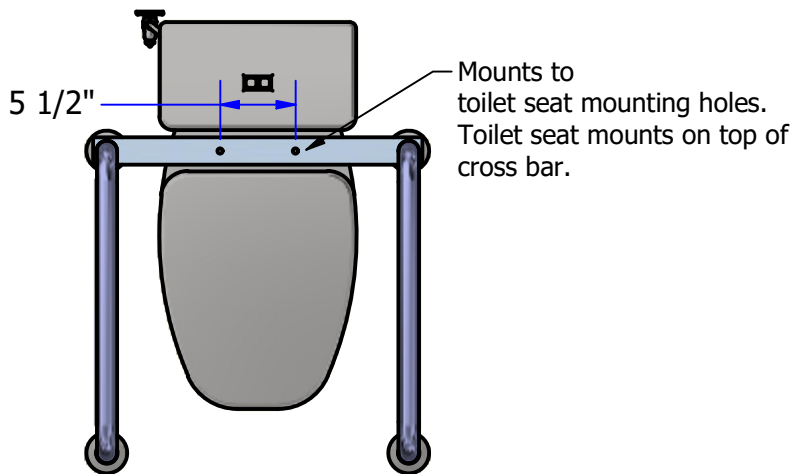


TECHNICAL DATA SHEET

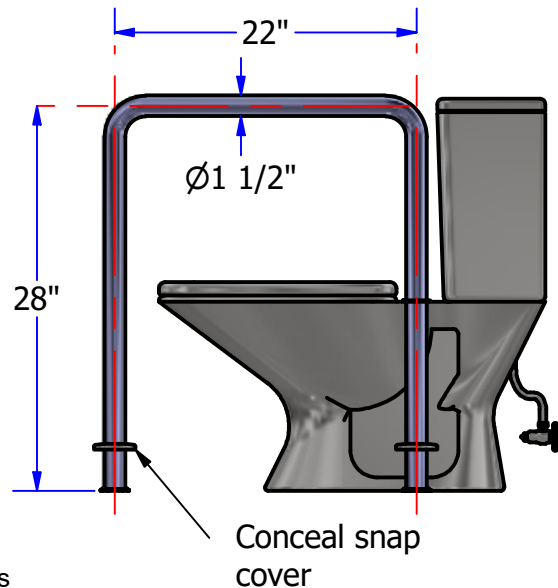
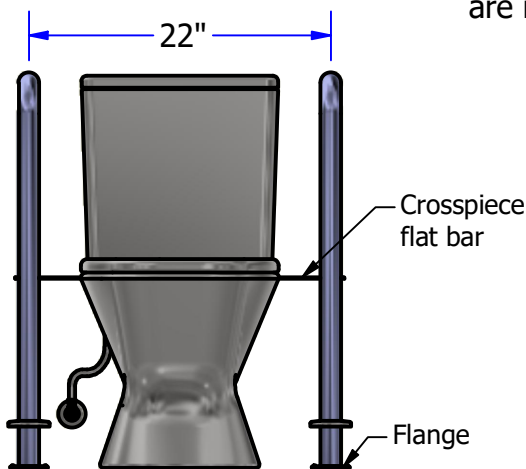
11/21/2024

D-7865-SS

Toilet transfer grab bar



Toilet and toilet seat are not included.



CONSTRUCTION:

Tubing: 1 1/2"Ø x 18 gauge stainless steel. mandrel bent tube ends pass through flanges, tig welded to form a single structure unit.

Flanges: 14 gauge stainless steel with (2) 15/64" key slot holes spaced 2 5/16" center line apart for attaching to floor.

Covers: 22 gauge stainless steel, 3"Ø x 7/16" deep. each cover snaps over flange to conceal mounting screws.

Crosspiece flat bar: 11 gauge stainless steel with (2) .375 toilet seat mounting holes spaced 5 1/2" apart. Attached to the two side grab bars. Adjusts for required seat height.

INSTALLATION:

Secure crosspiece flat bar to toilet seat mounting holes and grab bar flanges to the floor.

Use grab bar as a template to locate mounting holes.

Snap covers onto flanges.

Consult local and national accessibility codes for proper installation guidelines.

Conformity and compliance to local and national codes is the responsibility of the installer.

GUIDE SPECIFICATION:

1 1/2"Ø grab bar with concealed mounting flanges and snap covers.

Grab bar meets and exceeds 250 load requirements when properly installed.